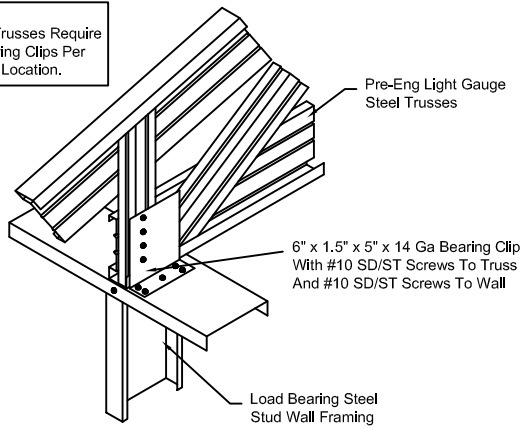


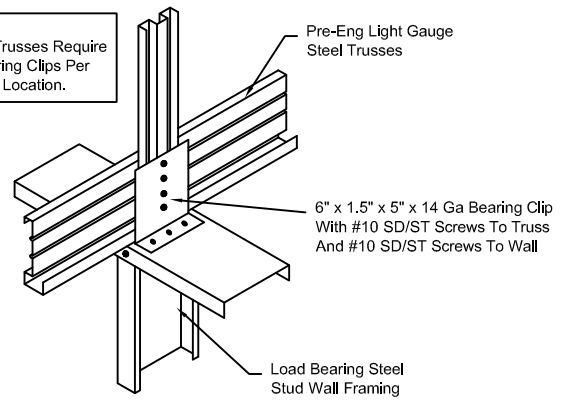
Note:
Girder Trusses Require
(2) Bearing Clips Per
Bearing Location.



**Truss To Wall
Bearing Detail**

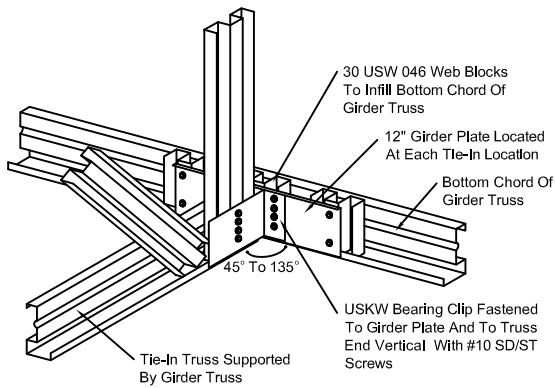
Exterior Bearing Wall Connection

Note:
Girder Trusses Require
(2) Bearing Clips Per
Bearing Location.



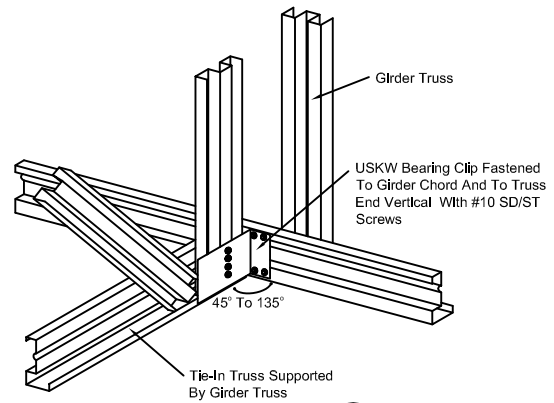
**Truss To Wall
Bearing Detail**

Interior Bearing Wall Connection



**Truss To Girder
Connection Detail**

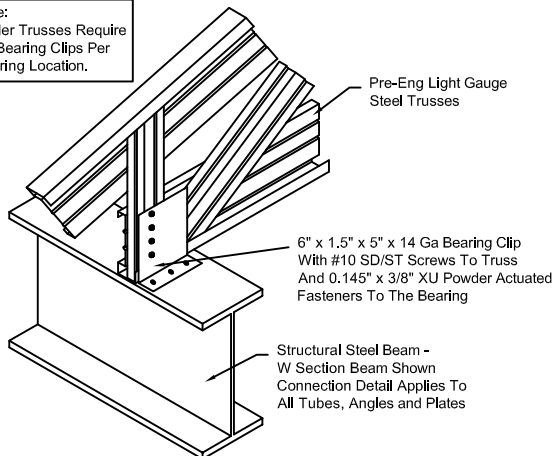
Connection To Front
Face Of Girder Truss



**Truss To Girder
Connection Detail**

Connection To Back
Face Of Girder Truss

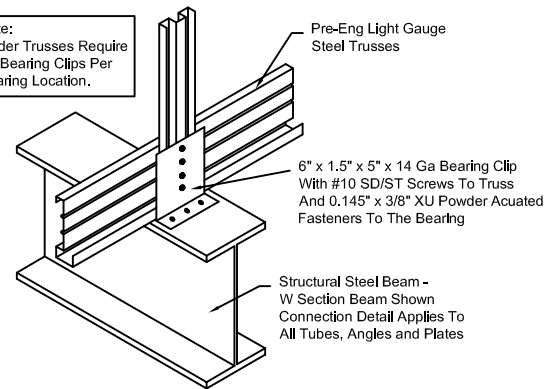
Note:
Girder Trusses Require
(2) Bearing Clips Per
Bearing Location.



**Truss To Structural
Steel Bearing Detail**

Structural Beam At Building Exterior

Note:
Girder Trusses Require
(2) Bearing Clips Per
Bearing Location.



**Truss To Structural
Steel Bearing Detail**

Structural Beam At Building Interior

Locations: Typical

Scale: N/A

Date: 2008

Standard Connection
Details

Design: JWW

Drawn: JV

4427 VanderWal Dr.
P.O. Box 878
Petrolia On, NON1R0
Toll Free: 1-877-251-6875
Fax: 519-882-4153
Email: info@trusses.ca

VanderWal
Commercial Group