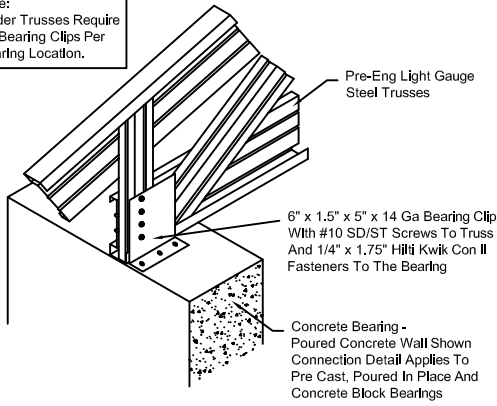
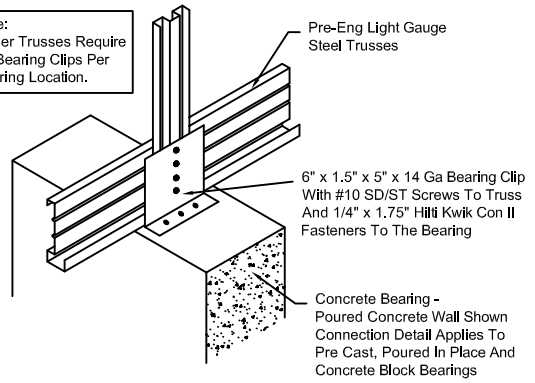


Note:
Girder Trusses Require
(2) Bearing Clips Per
Bearing Location.

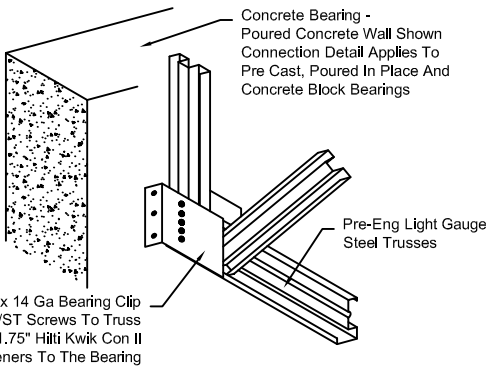


Truss To Concrete Bearing Detail
Exterior Concrete Bearing Wall Connection

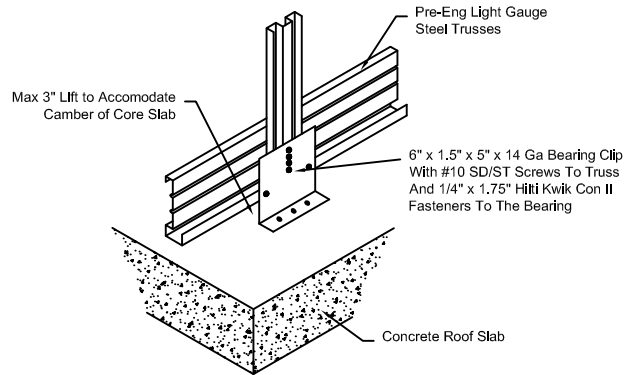
Note:
Girder Trusses Require
(2) Bearing Clips Per
Bearing Location.



Truss To Concrete Bearing Detail
Interior Concrete Bearing Wall Connection

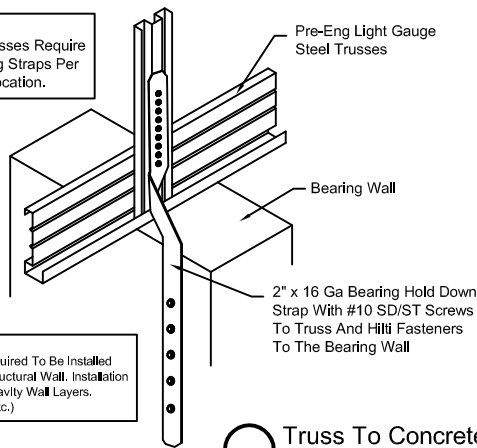


Truss To Concrete Bearing Detail
Connection To Vertical Wall Face



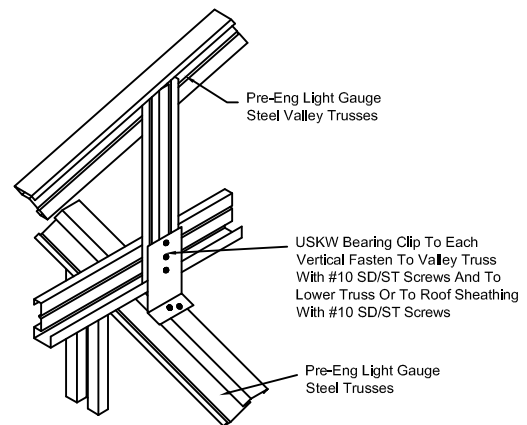
Truss To Concrete Bearing Detail
Standing Clip Connection Detail

Note:
Girder Trusses Require
(2) Bearing Straps Per
Bearing Location.



NOTE:
Hold Down Straps Required To Be Installed
To Exterior Face of Structural Wall. Installation
Must Occur Prior To Cavity Wall Layers.
(IE. Brick, Insulation, Etc.)

Truss To Concrete Bearing Detail
Hold Down Strap Connection Detail



Valley Truss Bearing Detail
Valley Overframing Connection Detail

Location: Typical

Scale: N/A

Date: 2008

Standard Connection Details

Design: JWJ

Drawn: JV

4427 VanderWal Dr.
P.O. Box 878
Petrolia On, ON N0N 1R0
Toll Free: 1-877-251-6875
Fax: 519-882-4153
Email: info@trusses.ca

VanderWal
Commercial Group